

CONVEYER & CASTER STOCKING MEDCASTER

Conveyer & Caster - Equipment for Industry is pleased to announce that it is now stocking MedCaster brand casters and wheels. We have brought into stock a large selection of MedCaster's most popular casters. With options including chrome finishes, stainless construction, total lock brakes and a wide variety of mounting styles, one is sure to suit your needs. Originally designed for use in medical environments, these casters have been found to be the perfect solution in many applications, such as food service equipment and retail store fixtures. Contact our customer service department or your salesperson for more information.

CHROME HOSPITAL (CH)

The Chrome Hospital (CH) series of institutional casters is perfect for applications on: Food Service Equipment, Hospital Carts, Store Fixtures, Utility and Case Carts. The high polish chrome finish makes equipment look sleek and clean. Available with Top Plates, Threaded Stems, and Grip Ring Stems. Capacities to 260 lbs.

- High Polish Chrome Plated Finish
- Precision Ball Wheel Bearing for easy rolling
- Dual Ball Raceway for added strength
- Full Wheel Plastic Thread Guard
- Total Lock Brake Available



Part Number	Wheel Size	Wheel Type	Rig Type	Mounting Style
CH32PPB30R	3" x 1.25"	Polyurethane	Rigid	Top Plate
CH32PPB30S	3" x 1.25"	Polyurethane	Swivel	Top Plate
CH32PPB30S-TLB	3" x 1.25"	Polyurethane	Total Lock Swivel	Top Plate
CH21PPB30S-HK08	3" x 1.25"	Polyurethane	Swivel	1/2" Hollow Kingpin
CH21PPB30S-TLB-HK08	3" x 1.25"	Polyurethane	Total Lock Swivel	1/2" Hollow Kingpin
CH32TRB30R	3" x 1.25"	TPR Rubber	Rigid	Top Plate
CH32TRB30S	3" x 1.25"	TPR Rubber	Swivel	Top Plate
CH32TRB30S-TLB	3" x 1.25"	TPR Rubber	Total Lock Swivel	Top Plate
CH21TRB30S-HK08	3" x 1.25"	TPR Rubber	Swivel	1/2" Hollow Kingpin
CH21TRB30S-TLB-HK08	3" x 1.25"	TPR Rubber	Swivel	1/2" Hollow Kingpin
CH32TRB40R	4" x 1.25"	TPR Rubber	Rigid	Top Plate
CH32TRB40S	4" x 1.25"	TPR Rubber	Swivel	Top Plate
CH32TRB40S-TLB	4" x 1.25"	TPR Rubber	Total Lock Swivel	Top Plate
CH21TRB40S-HK08	4" x 1.25"	TPR Rubber	Swivel	1/2" Hollow Kingpin
CH21TRB40S-TLB-HK08	4" x 1.25"	TPR Rubber	Total Lock Swivel	1/2" Hollow Kingpin
CH32TRB50R	5" x 1.25"	TPR Rubber	Rigid	Top Plate
CH32TRB50S	5" x 1.25"	TPR Rubber	Swivel	Top Plate
CH32TRB50S-TLB	5" x 1.25"	TPR Rubber	Total Lock Swivel	Top Plate
CH21TRB50S-HK08	5" x 1.25"	TPR Rubber	Swivel	1/2" Hollow Kingpin
CH21TRB50S-TLB-HK08	5" x 1.25"	TPR Rubber	Total Lock Swivel	1/2" Hollow Kingpin

Conveyer & Caster

STAINLESS STEEL (SM)



The Stainless Steel (SM) series of institutional casters is perfect for applications on: Food Service Equipment, Hospital Carts, Laboratory Equipment, Animal Cages, Pharmaceutical Equipment, Utility and Case Carts. Available with Top Plates, Threaded Stems, and Grip Ring Stems. Capacities to 240 lbs.

- 304 Polished Stainless Steel Rigs
- Precision Ball Wheel Bearing for easy rolling
- Dual Ball Raceway for added strength
- Full Wheel Plastic Thread Guard
- Total Lock Brake Available



MedCaster Part Number	Wheel Size	Wheel Type	Rig Type	Mounting Style
SM32TRB30S-TLB	3" x 1.25"	TPR Rubber	Total Lock Swivel	Top Plate
SM21TRB30S-G723	3" x 1.25"	TPR Rubber	Swivel	7/16" x 1-7/16" Grip Ring Stem
SM32TRB40S-TLB	4" x 1.25"	TPR Rubber	Total Lock Swivel	Top Plate
SM32TRB50S-TLB	5" x 1.25"	TPR Rubber	Total Lock Swivel	Top Plate
SM21TRB50S-TLB-HK08	5" x 1.25"	TPR Rubber	Total Lock Swivel	1/2" Hollow Kingpin

RAZOR (RZ)



The Razor (RZ) series of light duty institutional casters combines economy with style; perfect for use on Laundry Hampers, Mobile Hospital Furniture, Bassinets, Chairs, and Home Healthcare Beds. Available with Top Plates, Threaded Stems, and Grip Ring Stems. Capacities to 140 lbs.

- High Polish Chrome Finish
- Wheels Feature Ball Bearings for easy rolling*
- Dual Ball Raceway for added strength
- Full Wheel Chrome Thread Guard*
- Total Lock Brake Available



MedCaster Part Number	Wheel Size	Wheel Type	Rig Type	Mounting Style
RZ20GRB30S	3" x 7/8"	Gray Rubber	Swivel	Top Plate
RZ20GRB30S-TLB	3" x 7/8"	Gray Rubber	Total Lock Swivel	Top Plate
RZ20GRB30S-HK07	3" x 7/8"	Gray Rubber	Swivel	7/16" Hollow Kingpin
RZ20GRB30S-TLB-HK07	3" x 7/8"	Gray Rubber	Total Lock Swivel	7/16" Hollow Kingpin
RZ20GRB30S-G723	3" x 7/8"	Gray Rubber	Swivel	7/16" x 1-7/16" Grip Ring Stem
RZ20GRB30S-TLB-G723	3" x 7/8"	Gray Rubber	Total Lock Swivel	7/16" x 1-7/16" Grip Ring Stem
RZ20GRB30S-T616	3" x 7/8"	Gray Rubber	Swivel	3/8-16 x 1" Threaded Stem
RZ20GRB30S-TLB-T616	3" x 7/8"	Gray Rubber	Total Lock Swivel	3/8-16 x 1" Threaded Stem
RZ20TRB30S-TLB-HK07	3" x 7/8"	TPR Rubber	Total Lock Swivel	7/16" Hollow Kingpin
RZ20TRB30S-TLB-T616	3" x 7/8"	TPR Rubber	Total Lock Swivel	3/8-16 x 1" Threaded Stem

NEOTEQ (CN)

The Neoteq (CN) series light duty caster for use on Office Chairs, Laboratory Equipment, Mobile Computer Stands, IV Poles, and other Medical Equipment. Featuring a high polish chrome finish, these casters look great on any small cart or chair. Available with Grip Ring Stems and Threaded Stems. Capacities to 175 lbs.

- Bright Chrome Finish
- Non-Marking Neoprene Wheels
- Dual Ball Raceway for added strength
- Full Wheel Chrome Thread Guard
- Total Lock Brake Available



MedCaster Part Number	Wheel Size	Wheel Type	Rig Type	Mounting Style
CN18NPB20S-G714	2" x 1"	Neoprene Rubber	Swivel	7/16" x 7/8" Grip Ring Stem
CN18NPB20S-TLB-G714	2" x 1"	Neoprene Rubber	Total Lock Swivel	7/16" x 7/8" Grip Ring Stem
CN18NPB20S-T616	2" x 1"	Neoprene Rubber	Swivel	3/8-16 x 1" Threaded Stem
CN18NPB20S-TLB-T616	2" x 1"	Neoprene Rubber	Total Lock Swivel	3/8-16 x 1" Threaded Stem
CN18NPB20S-HK07	2" x 1"	Neoprene Rubber	Swivel	7/16" Hollow Kingpin
CN18NPB20S-TLB-HK07	2" x 1"	Neoprene Rubber	Total Lock Swivel	7/16" Hollow Kingpin



CN18NPB30S-G714	3" x 1"	Neoprene Rubber	Swivel	7/16" x 7/8" Grip Ring Stem
CN18NPB30S-TLB-G714	3" x 1"	Neoprene Rubber	Total Lock Swivel	7/16" x 7/8" Grip Ring Stem
CN18NPB30S-G723	3" x 1"	Neoprene Rubber	Swivel	7/16" x 1-7/16" Grip Ring Stem
CN18NPB30S-TLB-G723	3" x 1"	Neoprene Rubber	Total Lock Swivel	7/16" x 1-7/16" Grip Ring Stem
CN18NPB30S-T616	3" x 1"	Neoprene Rubber	Swivel	3/8-16 x 1" Threaded Stem
CN18NPB30S-TLB-T616	3" x 1"	Neoprene Rubber	Total Lock Swivel	3/8-16 x 1" Threaded Stem
CN18NPB30S-HK07	3" x 1"	Neoprene Rubber	Swivel	7/16" Hollow Kingpin
CN18NPB30S-TLB-HK07	3" x 1"	Neoprene Rubber	Total Lock Swivel	7/16" Hollow Kingpin

NEOTEQ DUAL (DN)

The Neoteq Dual (DN) Series institutional casters were designed to provide the smoothest and quietest operation with tight turning and a clean, minimal style. Perfect for use on Laboratory Equipment, IV Stands, Medical Equipment, and Mobile Computer Carts. Available with Top Plates. Capacities to 300 lbs.

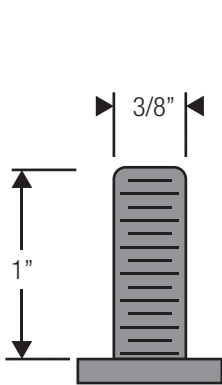
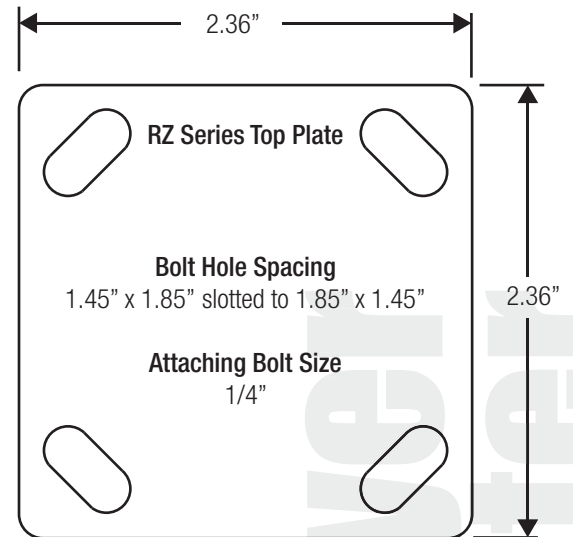
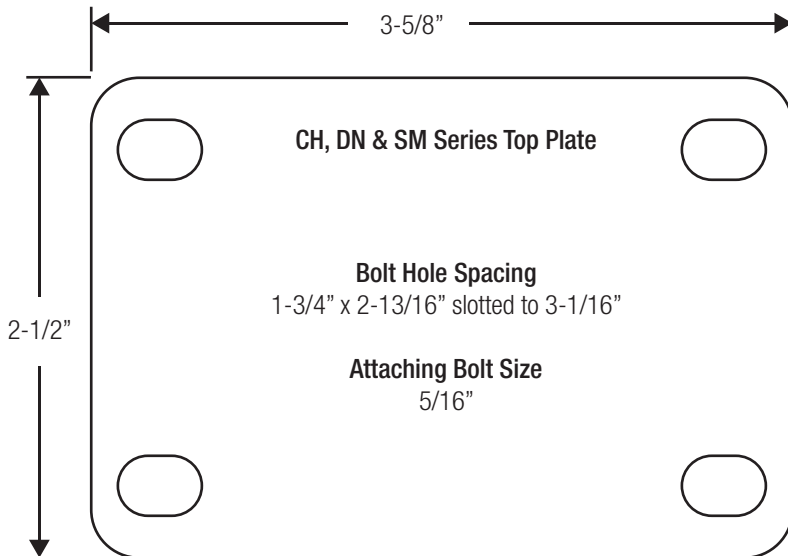
- Bright Chrome Finish
- Precision Ball Wheel Bearing for easy rolling
- Dual Ball Raceway for added strength
- Full Wheel Chrome Thread Guard
- Low Profile and High Capacity!



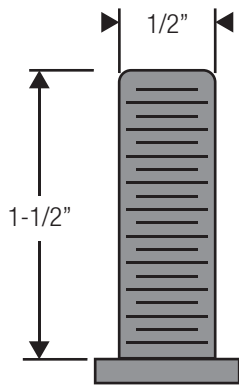
MedCaster Part Number	Wheel Size	Wheel Type	Rig Type	Mounting Style
DN32NPB25R	2.5" x 1"	Neoprene Rubber	Rigid	Top Plate
DN32NPB25S	2.5" x 1"	Neoprene Rubber	Swivel	Top Plate

MOUNTING GUIDE

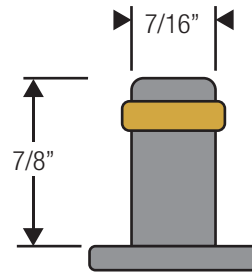
The mounting attachments shown below are actual size, as dimensioned. Other sizes are available upon request. Hollow Kingpin (HK08 and HK07) can accept the grip ring and threaded stems as noted by series.



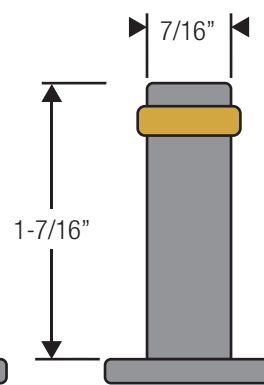
T616
3/8-16 UNC x 1"
Threaded Stem
Available On
CN, RZ



T824
1/2-13 UNC x 1-1/2"
Threaded Stem
Available On
CH, SM



G714
7/16" x 7/8"
Grip Ring Stem
Available On
CN, RZ, CH, SM



G723
7/16" x 1-7/16"
Grip Ring Stem
Available On
CN, RZ, CH, SM

HK07
7/16" Diameter
Hollow Kingpin
Available On
CN, RZ

HK08
1/2" Diameter
Hollow Kingpin
Available On
CH, SM