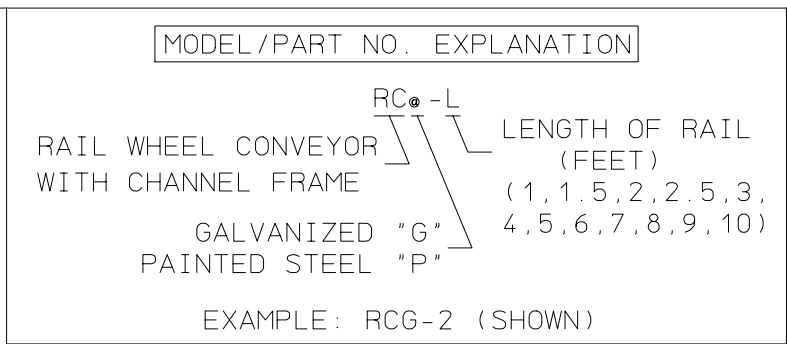


ITEM	QTY	DESCRIPTION	DWG.#	PART#
1	1	LIGHT DUTY CHANNEL	GC-059	M00324●-LG
2	SEE CHART	1/4" X 1 1/4" HHCS	P.P.	FSW00158
3	SEE CHART	1/4" CENTER LOCKNUT	P.P.	FSW09102
4	SEE CHART	1 15/16" DIA STEEL SKATEWHEEL	P.P.	BRW04600

NOTES:  
 1. IN PLACE OF (●) IN COMPONENT PART NUMBERS SPECIFY "G" FOR GALVANIZED, OR "H" FOR HOT ROLL STEEL.  
 2. COMPONENT LENGTH, INCHES: 12, 18, 24, 30, 36, 48, 60, 72, 84, 96, 108, 120

QTY.	CHART
OAL	ITEM#
12"	4
18"	6
24"	8
30"	10
36"	12
48"	16
60"	20
72"	24
84"	28
96"	32
108"	36
120"	40



TOLERANCES UNLESS NOTED:		ROACH MANUFACTURING CORPORATION			
FRACTIONAL ± 1/32		808 HWY 463 NORTH, TRUMANN ARKANSAS 72472			
0.00 ± 0.03		TITLE		SCALE	DRAWN
0.000 ± 0.005		RC RAIL WHEEL		1/2"=1"	TCM
ANGLES ± 1°		CONVEYOR ASSEMBLY		APPROVED	
NEXT ASSEMBLY		DATE	MATERIAL	PART NUMBER	DRAWING NUMBER
-		8-23-91	NOTED	SEE EXPLANATION	GB-128
MODEL: RC					

REV #0	NEW ISSUE ERN-218
REV #1	1 WAS GB-39 ECN-286 SP
REV #2	CHANGED PART#'S ECN-1168
REV #3	CHANGED PART#'S ON SIDE CHANNELS ECN-1526
REV #4	CHANGED PART#'S ON MODELS TO ADD PAINTED. ECN-1599

