

ITEM	QTY	DESCRIPTION	DWG. NO.	PART NO.
1	2	LIGHT DUTY CHANNEL	GC-059	M00324-LG
2	SEE CHART	1/4" X 2 1/2" HHCS	P.P.	FSW00163
3	SEE CHART	1/4" CENTER LOCKNUT	P.P.	FSW09102
4	SEE CHART	1 15/16" DIA. STEEL SKATEWHEEL	P.P.	BRW04600
5	SEE CHART	2.074" LG. (#4) ALUMINUM SPACER	P.P.	MCW06017
6	SEE CHART	1.187" LG. (RJ) ALUMINUM SPACER	P.P.	MCW06013-01

NOTES: 1. IN PLACE OF (●) IN COMPONENT PART NUMBER SPECIFY 'G' FOR 12 GA. GALVANIZED STEEL OR 'H' FOR 12 GA. HOT ROLLED STEEL PAINTED.
 2. COMPONENT LENGTH (LG), INCHES: 12, 18, 24, 30, 36, 48, 60, 72, 84, 96, 108, 120.

QUANTITIES REQUIRED

ITEM	LENGTH											
	12"	18"	24"	30"	36"	48"	60"	72"	84"	96"	108"	120"
2	9	14	18	22	26	34	42	50	58	66	74	83
3	9	14	18	22	26	34	42	50	58	66	74	83
4	8	12	16	20	24	32	40	48	56	64	72	80
5	1	2	2	2	2	2	2	2	2	2	2	3
6	8	12	16	20	24	32	40	48	56	64	72	80

MODEL/PART NO. EXPLANATION

RAIL WHEEL CONVEYOR WITH DOUBLE CHANNEL FRAME

RCD●-WC-L

LENGTH OF RAIL (FEET): (1, 1.5, 2, 2.5, 3, 4, 5, 6, 7, 8, 9, 10)

WHEEL CENTERS (IN): 1 1/2 (1.5)

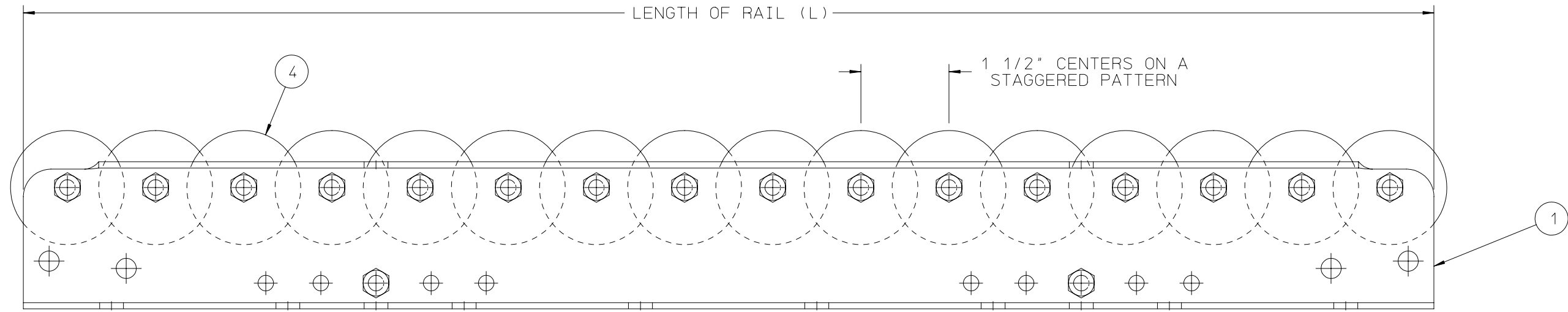
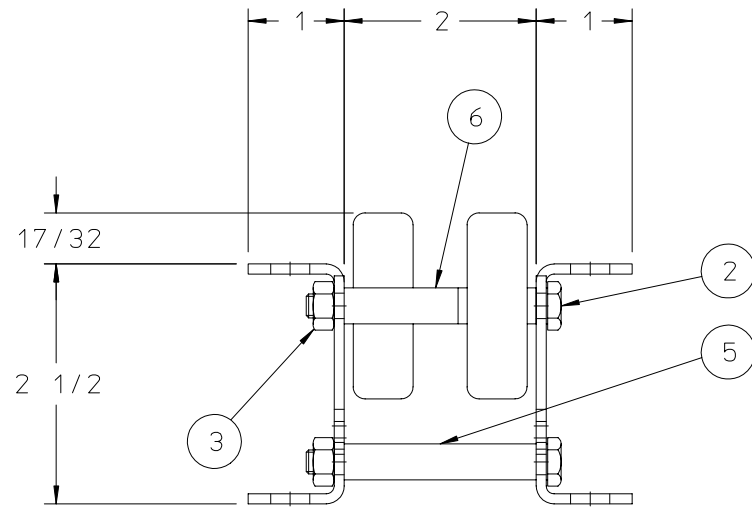
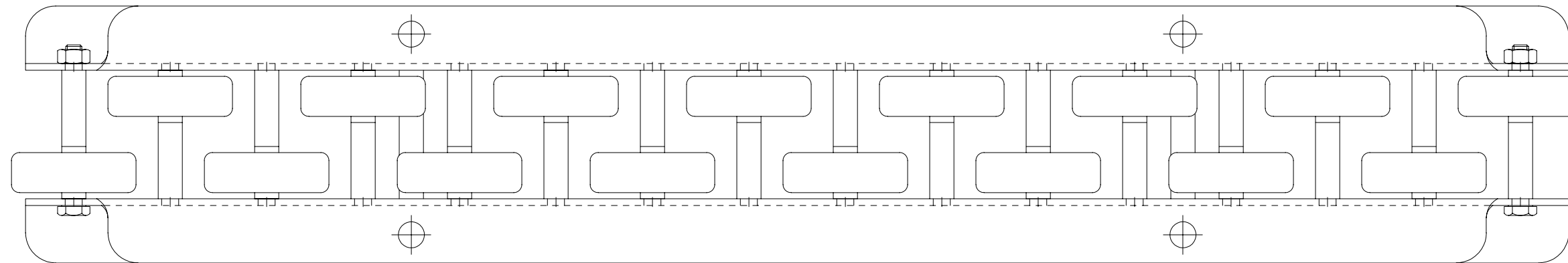
MATERIAL CODE:
 (G) 12 GA. GALVANIZED
 (P) 12 GA. HRS PAINTED

EXAMPLE: RCDG-1.5-2 (SHOWN)

TOLERANCES UNLESS NOTED:
 FRACTIONAL ± 1/32
 0.00 ± 0.03
 0.000 ± 0.005
 ANGLES ± 1°

ROACH MANUFACTURING CORPORATION
 808 HWY 463 NORTH, TRUMANN ARKANSAS 72472

NEXT ASSEMBLY	TITLE	SCALE	DRAWN
-	RC DOUBLE RAIL WHEEL CONVEYOR ASSEMBLY	1/2"=1'	TCM
-	DATE	MATERIAL	PART NUMBER
-	04-14-04	NOTED	SEE EXPLANATION
-	-	-	APPROVED
-	-	-	DRAWING NUMBER
-	-	-	GC-004
-	-	-	REV NEW ISSUE
-	-	-	#0 ERN-848



ITEM	QTY	DESCRIPTION	DWG. NO.	PART NO.
1	2	LIGHT DUTY CHANNEL	GC-059	M00324-LG
2	SEE CHART	1/4" X 1 1/2" HHCS	P.P.	FSW00159
3	SEE CHART	1/4" CENTER LOCKNUT	P.P.	FSW09102
4	SEE CHART	1 15/16" DIA. STEEL SKATEWHEEL	P.P.	BRW04600
5	SEE CHART	0.812" LG. ALUMINUM SPACER	P.P.	MCW06013-02

NOTES: 1. IN PLACE OF (●) IN COMPONENT PART NUMBER SPECIFY 'G' FOR 12 GA. GALVANIZED STEEL OR 'H' FOR 12 GA. HOT ROLLED STEEL PAINTED.
 2. COMPONENT LENGTH (LG), INCHES: 12, 18, 24, 30, 36, 48, 60, 72, 84, 96, 108, 120.

QUANTITIES REQUIRED

ITEM	LENGTH											
	12"	18"	24"	30"	36"	48"	60"	72"	84"	96"	108"	120"
2	5	8	10	12	14	18	22	26	30	34	38	43
3	5	8	10	12	14	18	22	26	30	34	38	43
4	4	6	8	10	12	16	20	24	28	32	36	40
5	1	2	2	2	2	2	2	2	2	2	2	3

MODEL/PART NO. EXPLANATION

RAIL WHEEL CONVEYOR WITH DOUBLE CHANNEL FRAME

RCD●-WC-L

LENGTH OF RAIL (FEET): (1, 1.5, 2, 2.5, 3, 4, 5, 6, 7, 8, 9, 10)

WHEEL CENTERS (IN): 3

MATERIAL CODE:
 (G) 12 GA. GALVANIZED
 (P) 12 GA. HRS PAINTED

EXAMPLE: RCDG-3-2 (SHOWN)

